

2.9T UNIC URW376 CRANE



SECOND STAGE EXTENDED

3.63M - 5.85M BOOM LENGTH

Working radius	m	up to 2.0	2.5	3.0	3.5	4.0	4.5	5.0	5.69	
Outrigger	Max-extended	kg	2,900	2,900	2,350	1,950	1,670	1,450	1,300	1,070
	Mid-extended	kg	2,900	2,900	2,320	1,920	1,570	1,250	990	770
	Min-extended	kg	2,900	2,900	2,170	1,500	1,120	900	720	470

THIRD STAGE EXTENDED

5.85M - 8.04M BOOM LENGTH

Working radius	m	up to 2.7	3.0	3.5	4.0	4.5	5.0	5.5	6.0	7.0	7.88	
Outrigger	Max-extended	kg	2,240	2,090	1,650	1,400	1,220	1,070	950	840	690	590
	Mid-extended	kg	2,240	2,060	1,650	1,390	1,170	1,000	820	640	450	370
	Min-extended	kg	2,240	2,060	1,570	1,220	1,020	830	650	510	300	190

FOURTH STAGE EXTENDED

8.04M - 10.23M BOOM LENGTH

Working radius	m	up to 4.0	4.5	5.0	6.0	7.0	8.0	9.0	10.07	
Outrigger	Max-extended	kg	1,040	930	840	730	620	520	470	380
	Mid-extended	kg	1,030	920	830	670	500	380	280	200
	Min-extended	kg	1,030	820	640	470	310	220	130	90

FIFTH STAGE EXTENDED

10.23M - 12.42M BOOM LENGTH

Working radius	m	up to 4.5	5.0	6.0	7.0	8.0	9.0	10.0	11.0	12.26	
Outrigger	Max-extended	kg	750	620	480	390	340	300	270	240	230
	Mid-extended	kg	750	620	470	390	320	270	220	170	130
	Min-extended	kg	750	620	400	250	180	130	90	60	10

SIXTH STAGE EXTENDED

12.42M - 14.61M BOOM LENGTH

Working radius	m	up to 4.9	5.5	6.0	7.0	8.0	9.0	10.0	11.0	12.0	13.0	14.45	
Outrigger	Max-extended	kg	300	270	250	220	200	180	160	140	130	110	100
	Mid-extended	kg	300	270	250	220	200	180	160	120	90	60	40
	Min-extended	kg	300	270	250	220	170	110	80	50	30	20	10

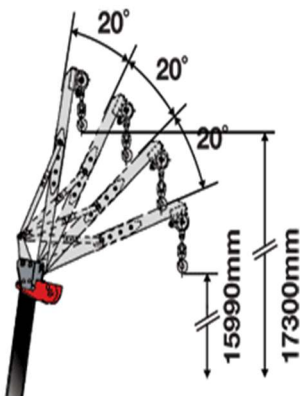
SEARCHER HOOK

FLY JIB

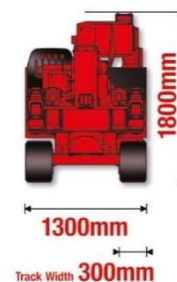
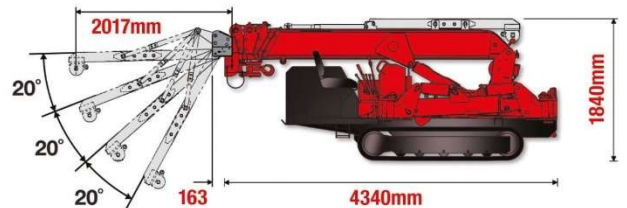
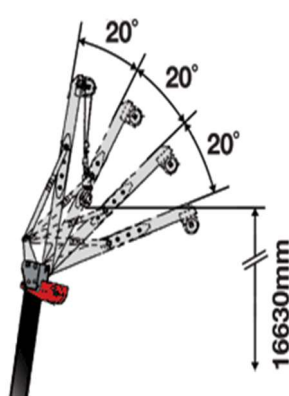
DIMENSIONS

Max load 150kg-700kg

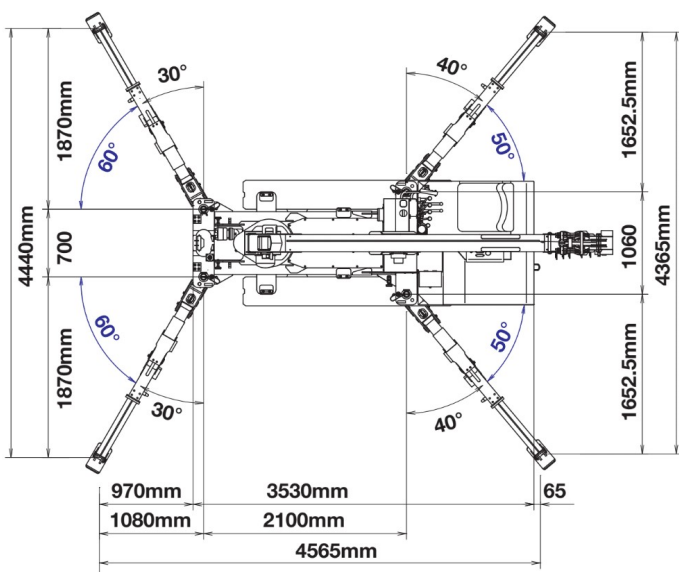
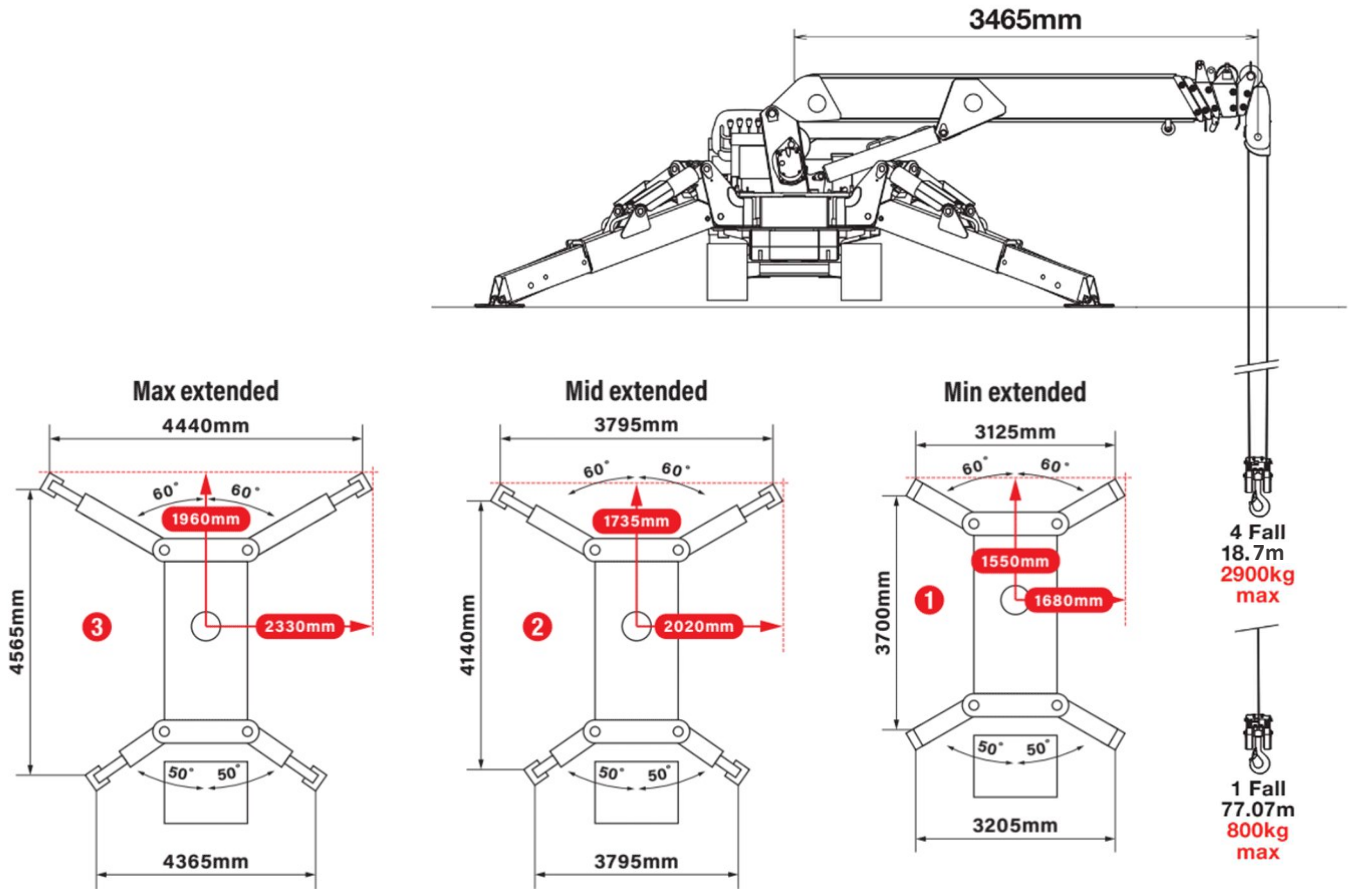
Radius rated



Angle Rated

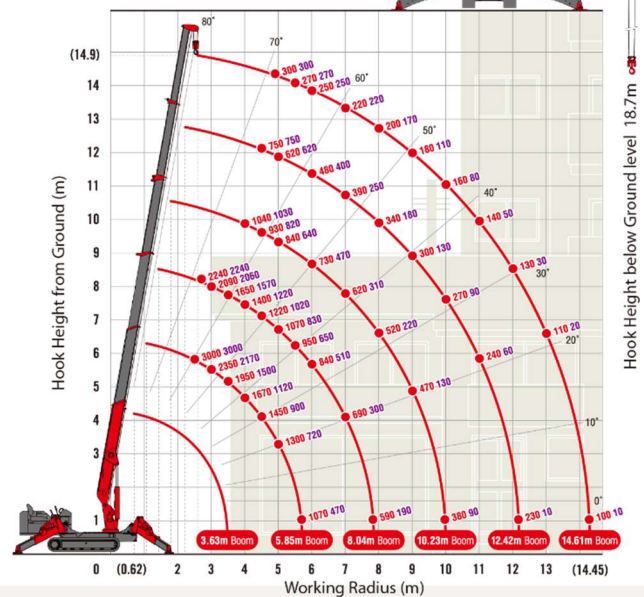


RATED LOADS & OUTRIGGER POSITIONS



WORKING RANGE & NET RATED LOADS (kg)

Outrigger ● Max-extended NOT max-extended



SPECIFICATIONS

Crane capacity	capacity:	2.9t x 2.5m
Max working radius	max:	14.45m
Max lifting height	approx:	14.9m (16.63m with fly jib, 17.33m with fixed hook)
Rope length	max:	18.29m (4 fall), 77.07m (1 fall)
Dimensions	folded:	4340mm (l) x 1300mm (w) x 1800mm (h)
Weight	unladen:	4000kg (with electric option)
Point loadings	Due to the many variables involved, point loadings are only available on request	
Hook speed	approx:	17m/min (with 4 layers and 4 falls)
Telescopic system	boom length: telescoping speed: boom type:	3.63 - 14.61m 10.98m/23 seconds 6 section hydraulically telescoping boom, hexagonal box construction
Derricking angle/speed	approx:	0 - 80°/10 seconds
Slewing angle/speed	approx:	360° (continuous) 2.5min rpm
Traction system	drive: travel speed: gradeability: track ground length: track ground pressure: track width:	hydrostatic 2-speed, stepless forward and reverse 0-3km/h ± 20° (vertical) 20° (traverse) 1750mm 36kPa (0.37kg/cm ²) 300mm
Engine	manufacturer: fuel: maximum output: starting method: tank capacity:	Mitsubishi / Yanmar diesel (electric dual power option) 18kW (24.5PS) / 2100min rpm electric 40 litres
Electric motor	power: voltage:	7.5kW 400v AC 50/60Hz
Standard equipment	computer controlled moment limiter (safe load indicator), radio remote control, overwinding alarm, computer controlled intelligent voice warning system, multi-function operation by radio remote control, intelligent throttle activation, automatic hook stow, overload warning alarms, overload warning lamps, working area limitation, 4-fall, single fall, 700kg searcher/fly jib	